



Data sheet MDC2044 Series REV A

# 500 - 2000 MHz. Model: MDC2044 Series



**Coupling Values: 6 dB, 10 dB, 20 dB, 30 dB**

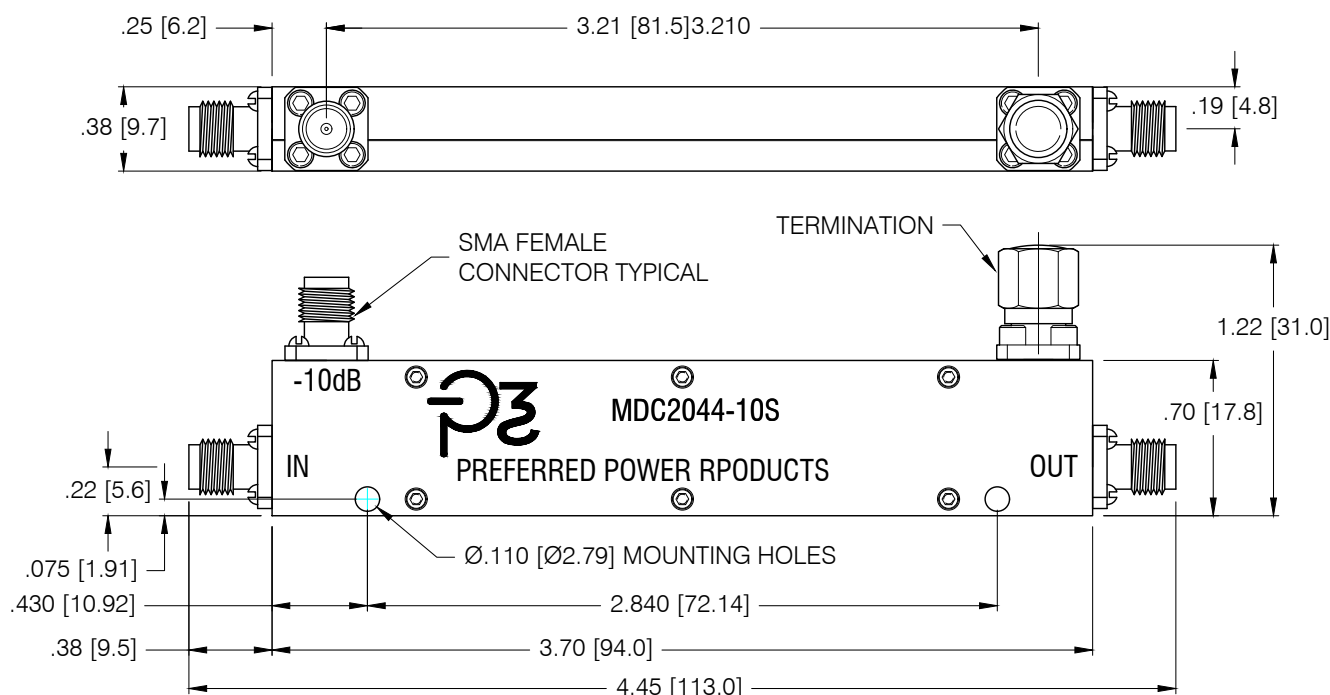
**MDC2044 MINI-LINE Series** couplers feature reliable Stripline construction using multi-section designs which provides power sampling up to 50 watts CW in miniature coaxial packages that have proven performance and reliability under extreme environmental conditions. Couplers exhibit excellent performance and may be used in a wide variety of applications including military, commercial, broadcast, medical, aerospace and wireless. All couplers are manufactured in the USA.

### PRODUCT SELECTION CHART

Model Number	*Coupling (dB)	Frequency Sensitivity (dB)	Ins. Loss (dB max.)		Directivity (dB)		VSWR (TYP)		Power (Watts max.)		
			Excl. Coupling Loss	True	TYP	MIN	Primary Line	Coupled Port	Average Incident	Average Reflected	Peak
MDC2044-6	6 ± 1.00	± 0.75	0.35	2.00	>20	15	1.25	1.25	50	2	3k
MDC2044-10	10 ± 1.00	± 0.75	0.35	0.90	>20	15	1.25	1.25	50	5	3k
MDC2044-20	20 ± 1.00	± 0.75	0.35	0.40	>20	15	1.25	1.25	50	50	3k
MDC2044-30	30 ± 1.00	± 0.80	0.80	0.40	>20	15	1.25	1.25	50	50	3k

Specifications subject to change without notice

\* Theoretical Coupling Included



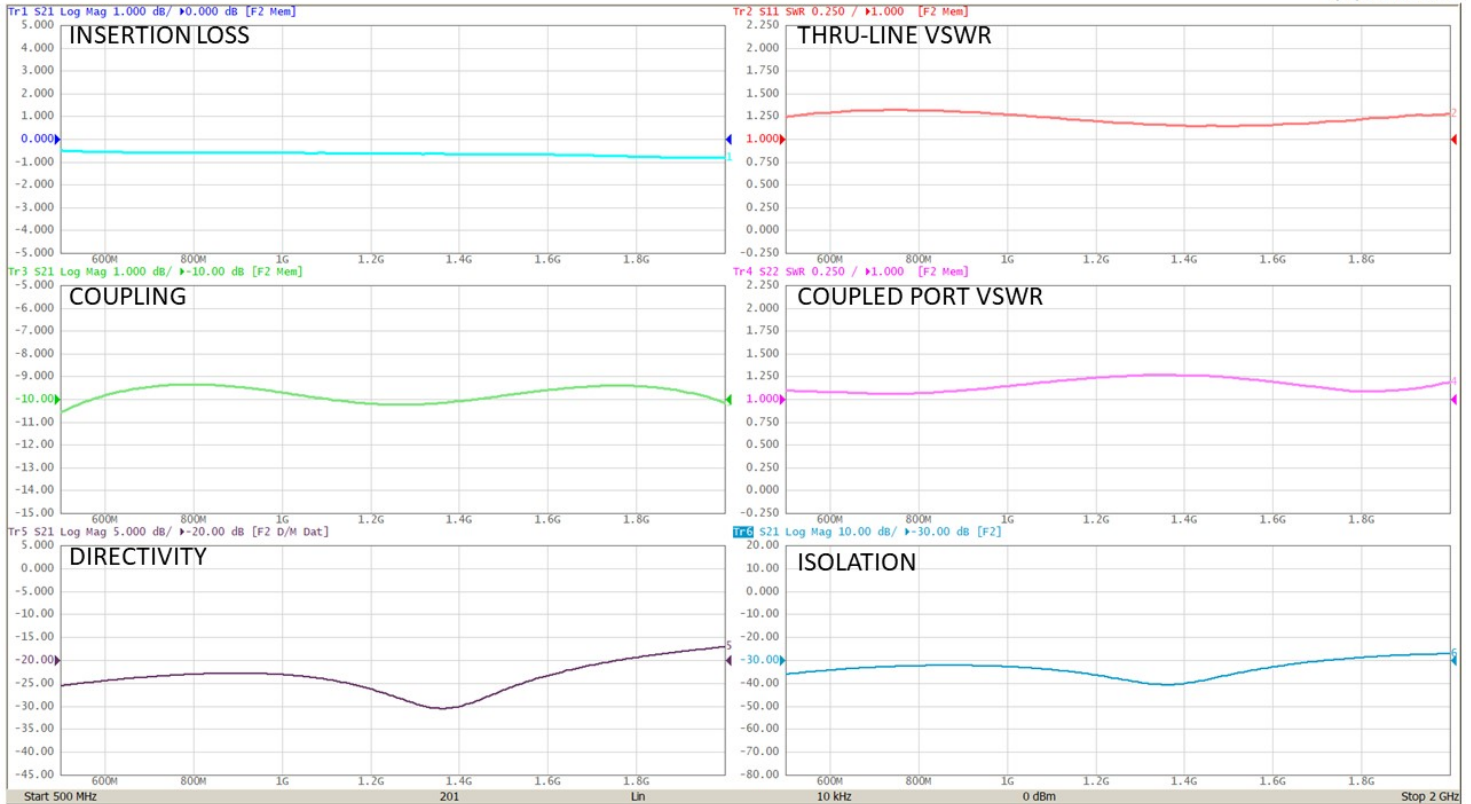


Data sheet MDC2044 Series REV A

**Typical Performance Data**

Model MDC2044-10 Used For Typical Test Data

6/15/2021 1:44:04 PM



All Specifications subject to change without notice

**MECHANICAL SPECIFICATION**

Case Material: Aluminum Alloy, 6061-T651  
 Finish: Chem-Film Conversion, Clear. MIL-DTL-55413  
 Connectors: SMA, Female, Stainless Steel  
 Marking: LASER Engraved Per MIL-STD-130  
 Storage Temp: -55°C To +150°C  
 Tolerance: ±.010" (Unless Specified)

**NOTES:**

- 2). ALL TEST DATA IS TAKEN AT BASE-PLATED MAINTAINED @25°C USING A CALIBRATED NETWORK ANALYZER.
- 3). For more information please contact: [sales@p3-rf.com](mailto:sales@p3-rf.com)

